

BUTTERFLY VALVE TYPE58

- 50% LIGHT WEIGHT COMPARED TO 700MM PDCPD LARGE SIZE BUTTERFLY VALVE
- FACE TO FACE DIMENSION COMPLIANT WITH INTERNAL ISO (ISO 5752) SHORT STANDARD
- ASSEMBLED WITH 700MM PP DISC OR PVDF DISC FOR EXCELLENT RESISTANCE TO CORROSION

MANUAL



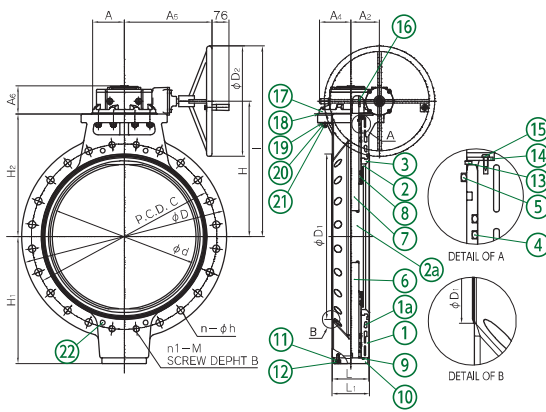
BASIC SPECIFICATIONS

VALVE TYPE — BUTTERFLY VALVE TYPE58
SIZE — 700mm
BODY MATERIAL — PDCPD
SEAL MATERIAL / SEAT — EPDM FKM NBR
CONNECTION / WAFER — JIS10K, DIN, ANSI

FLUID TEMPERATURE	MAXIMUM WORKING PRESSURE (NORMAL TEMPERATURE) MPa (kgf/cm ²)
PDCPD (700mm) - 20°C - 80°C	0.75 (7.7)

NOTE The maximum working pressure is the value including the water hammer pressure. Be careful that the maximum working pressure is not exceeded during use.
 * Concerning the allowable pressure for each temperature and material, see the technical documents at the end of this catalog.

PARTS LIST



PART NO. / NAME	QTY	MATERIAL	PART NO. / NAME	QTY	MATERIAL
① BODY	1	PDCPD	⑩ STEM HOLDER (B)	1	ABS
①a BODY INSERT	2	SCS13	⑪ WASHER (A)	4	SUS304
② DISC	1	PP, PVDF	⑫ BOLT (A)	4	SUS304
③ BUSH	2	PP, PVDF	⑬ C-SHAPED STOP RING	1	SUS304
④ DISC INSERT	1	EPDM, FKM, NBR	⑭ STEM HOLDER (A)	1	ABS
⑤ SEAT	1	EPDM, FKM, NBR	⑮ TAPPING SCREW	4	SUS304
⑥ O-RING (A)	16	EPDM, FKM, NBR	⑯ KEY	1	S45C
⑦ O-RING (B)	1	EPDM, FKM, NBR	⑰ GEAR BOX	1	FC250 (POLYURETHANE PAINT)
⑧ O-RING (C)	1	EPDM, FKM, NBR	⑱ WASHER (B)	8	SUS304
⑨ GASKET	1	EPDM, FKM, NBR	⑳ NUT	8	SUS304
⑩ STEM (B)	1	SUS403, SUS316	㉑ BOLT (B)	8	SUS304
⑪ STEM (A)	1	SUS403, SUS316	㉒ CAP	8	EPDM

GEAR BOX MODEL CODE: AB1950N PR4
 OPEN/CLOSE ROTATION: 55

SPECIFICATION LIST

LEVER TYPE	SIDE GEAR TYPE	TOP GEAR TYPE
—	○	—

CHAIN TYPE	LONG STEM TYPE	FLOAT TYPE	WITH LIMIT SWITCH
—	—	—	—

* For other specifications, contact our sales office in your area.

PRODUCT MODEL CODE LIST

AUTOMATIC

ACTUATION	TYPE	OPERATING SYSTEM	BODY	SEAL MATERIAL	CONNECTION	STANDARD	SIZE	DISC PVDF
V	58	SG	D	*	W	*	700	01M
V	58	SG	D	E EPDM V FKM N NBR	W	1 JIS10K W - D DIN A ANSI	700 700mm	Used when the disc material is PVDF.

MANUAL

BUTTERFLY VALVE TYPE58

TYPE — V58SGD
 CONNECTION / WAFER — JIS, DIN, ANSI

■ JIS, DIN (Unit: mm)

JIS10K														WATERWORKS (JIS B2062)				DIN PN10															
mm	d	D	D ₁	D ₂	L	L ₁	H	I	H ₁	H ₂	A	A ₂	A ₄	A ₅	A ₆	C	h	N (NO. OF THRU HOLES)	THRU HOLE φ	C	h	N (NO. OF THRU HOLES)	THRU HOLE φ	M	B								
700	670	925	750	500	165	169	613	863	574	555	142.5	130	140	397.5	127	840	33	24	20	[4]/8	M30	28	—	—	—	—	840	30	24	20	[4]/8	M27	28

■ ANSI (Unit: inch)

														ANSI CLASS 150									
inch	mm	d	D	D ₁	D ₂	L	L ₁	H	I	H ₁	H ₂	A	A ₂	A ₄	A ₅	A ₆	C	h	N (NO. OF THRU HOLES)	THRU HOLE φ	M	B	
28	700	26.38	36.42	29.53	19.69	6.50	6.65	24.13	33.98	22.60	21.85	5.61	5.12	5.51	15.65	5.00	34.00	1.38	28	24	[4]/8	1 1/4-7UNC	1.10